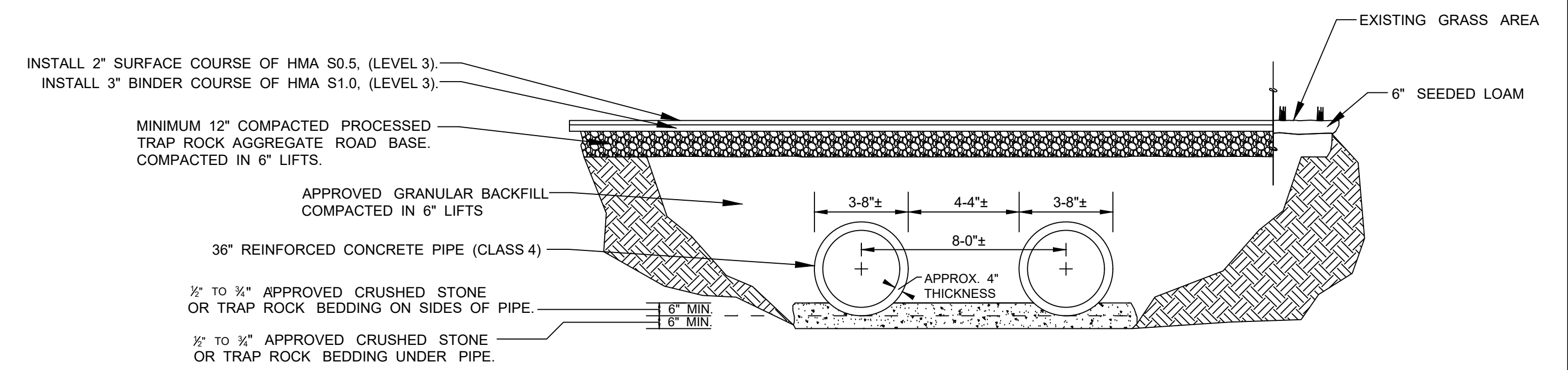


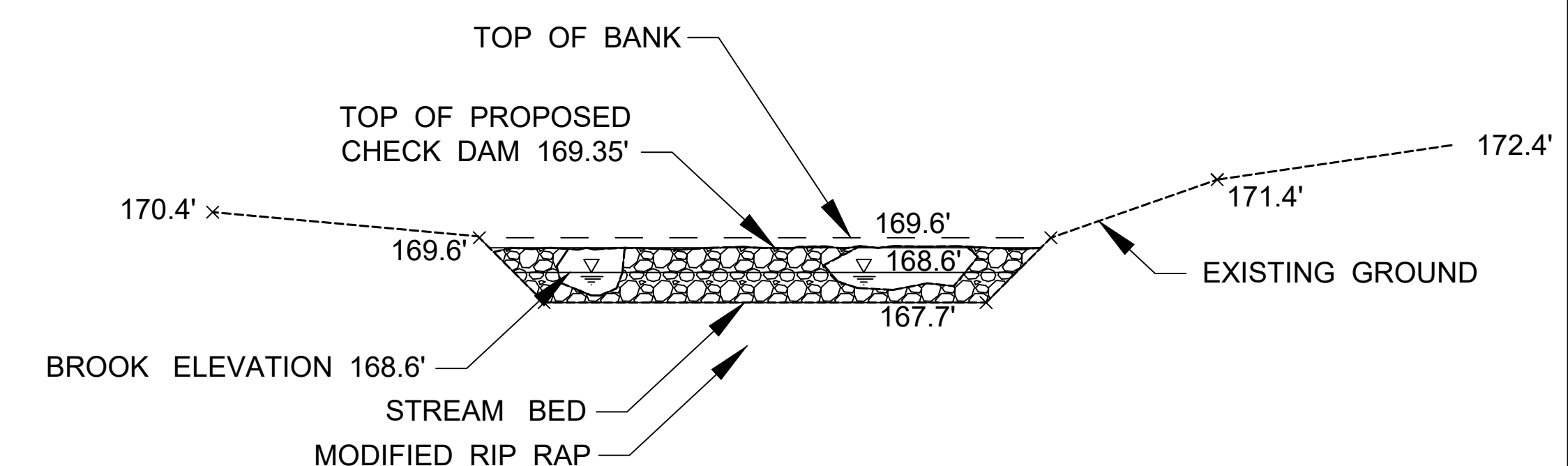
PROPOSED 36" FLARED END AND THE INSTALLATION OF NEW RIP RAP.

SECTION
N.T.S.



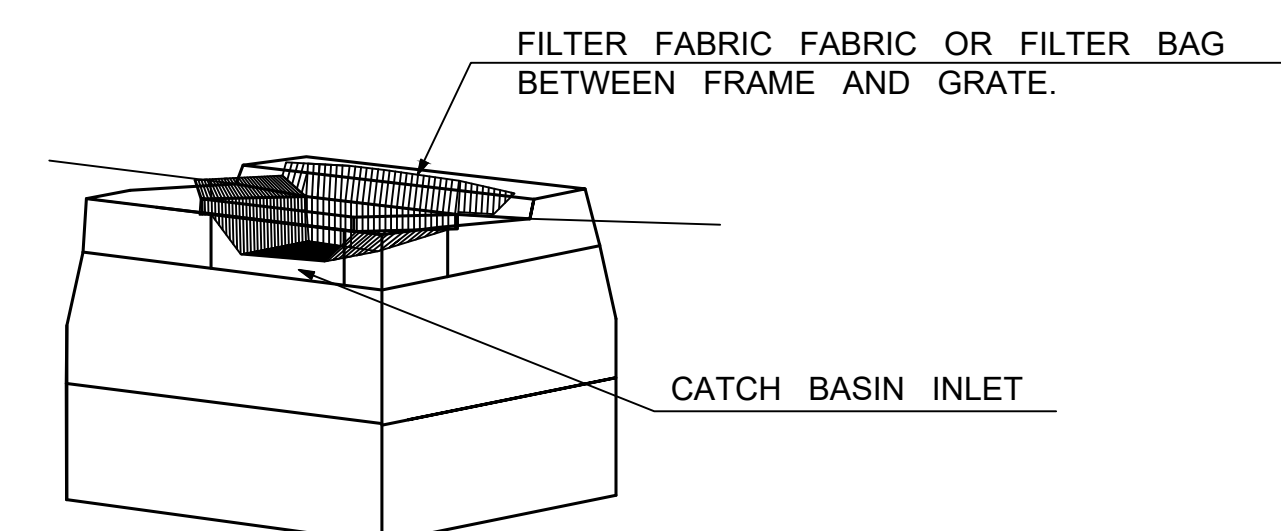
**36" R.C.P. INSTALLATION
TYPICAL CROSS SECTION**

N.T.S.



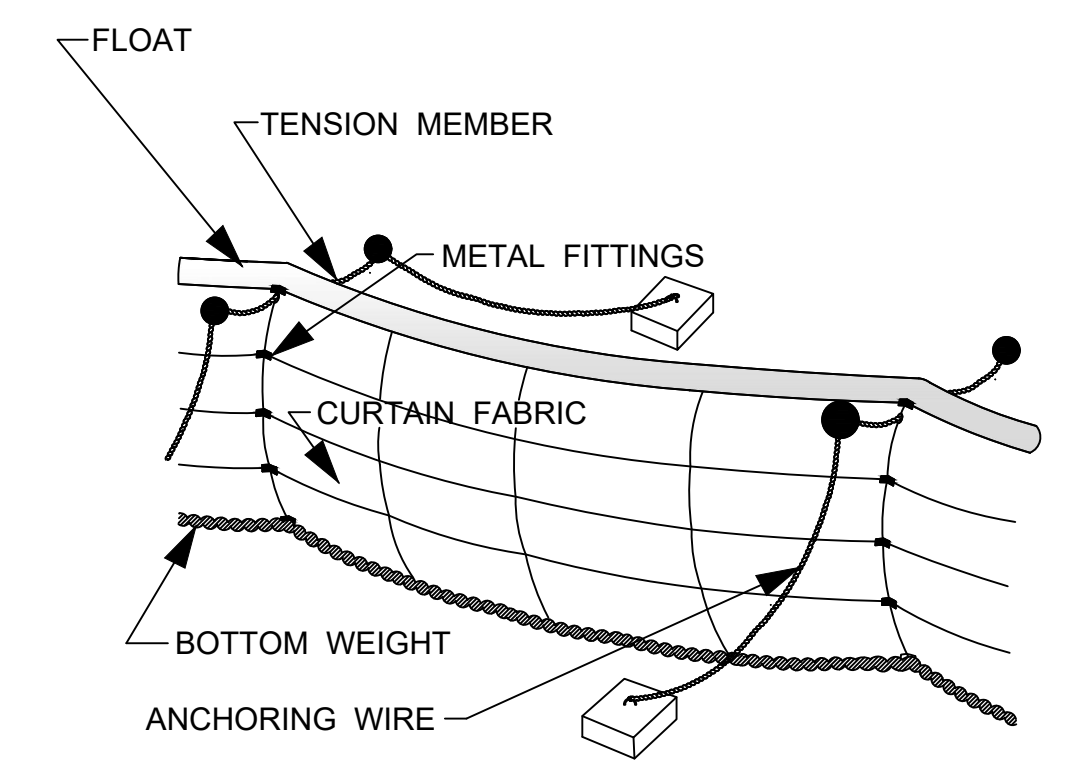
**CHECK DAM
SOUTH ELEVATION**

NOT TO SCALE



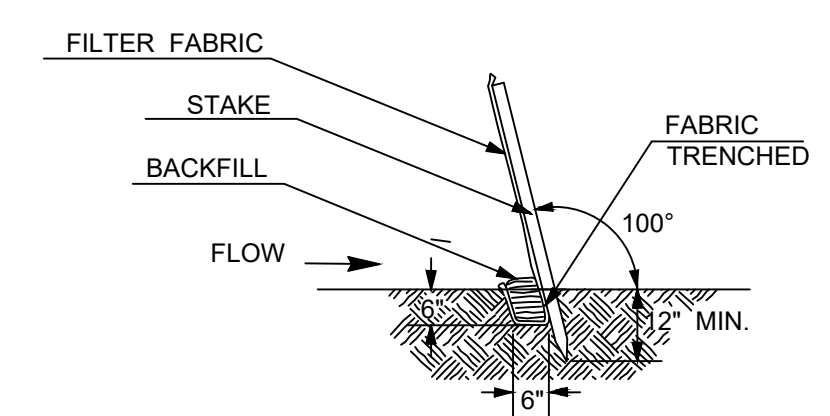
CATCH BASIN FILTER

N.T.S.



SILT CURTAIN

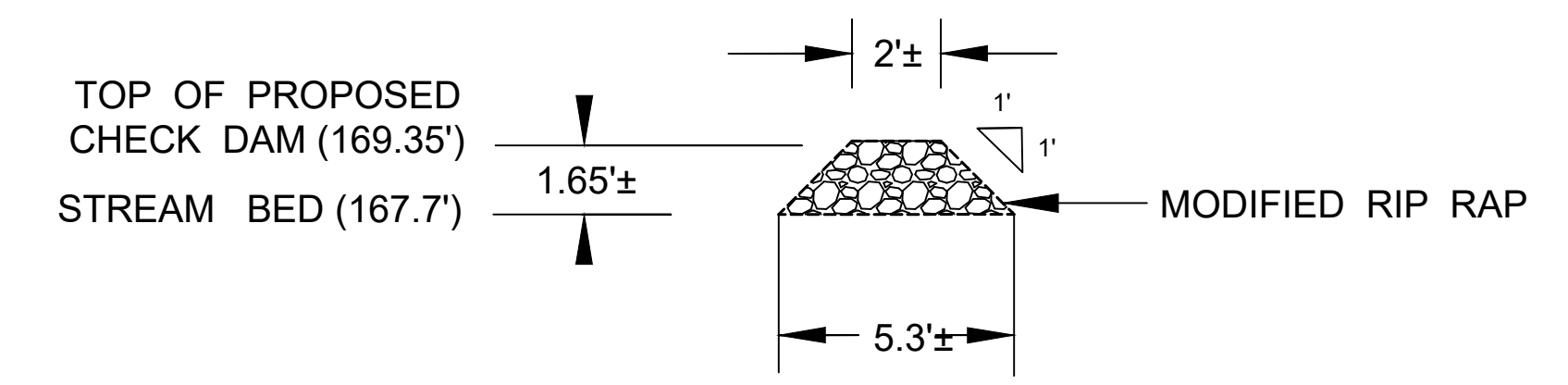
N.T.S.



- NOTES:
- A) MINIMUM LENGTH OF SILT FENCE IS 15 LF.
 - B) MAXIMUM POST SPACING IS 10 LF.
 - C) JOINTS ONLY AT SUPPORT POST WITH MINIMUM 6" OVERLAP, SECURELY SEALED.
 - D) SEDIMENTATION DEPOSITS SHALL BE REMOVED WHEN IT REACHES 1/2 THE HEIGHT OF THE SILT FENCE.
 - E) SILT FENCE SHALL NOT BE USED IN A WATER COURSE.
 - F) UPON ESTABLISHMENT OF GROUND COVER ON DISTURBED AREAS, AND WHEN DIRECTED BY THE ENGINEER, FENCE WILL BE REMOVED AND ANY SEDIMENTATION WILL BE THINLY SPREAD UPON THE EXISTING GROUND.

SILT FENCE INSTALLATION

N.T.S.



**CHECK DAM
TYPICAL CROSS SECTION**

N.T.S.

REVISIONS		REVISIONS		TOWN LINE ROAD	RECONSTRUCTION OF TOWN LINE ROAD		FIELD BOOK:	DWG. NO. TL RD DET SHT 2	DEPARTMENT OF ENGINEERING	
					EROSION CONTROL DETAIL SHEET		DRAWN BY: M.R.P.	CHECKED BY:	DESIGNED BY:	SCALE: AS NOTED
						DATE: OCT. 20, 2020	DATE:	DATE:	PLAINVILLE, CONNECTICUT	
F.H.W.A. REGION NO.	STATE	TOWN(S)		PROJ. NO.	PROJ. NO.	YEAR	ROUTE NO.	SHEET NO.	TOTAL SHEETS	
1	CT	PLAINVILLE		2020-08E		2020				